

# VAST COVE LIGHT STATIC



livoli®



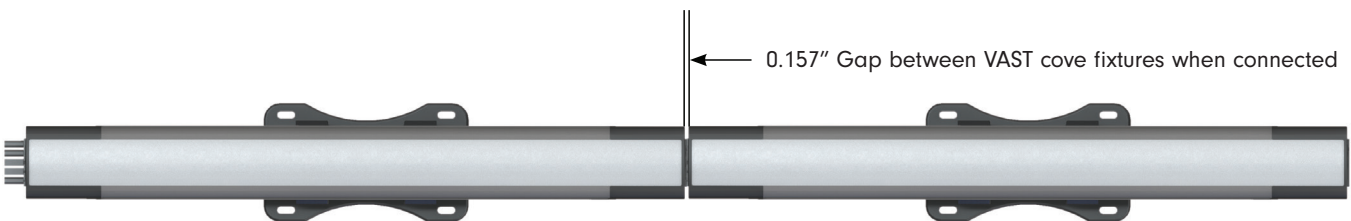
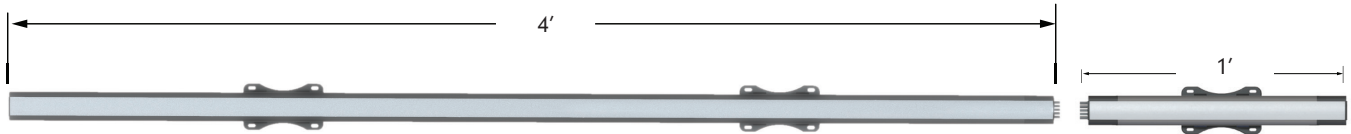
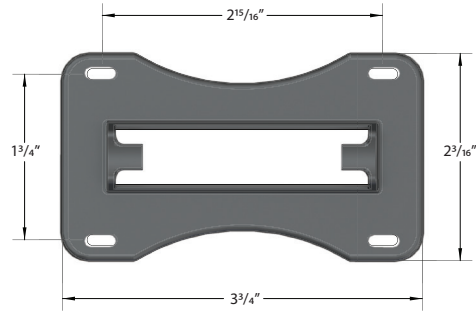
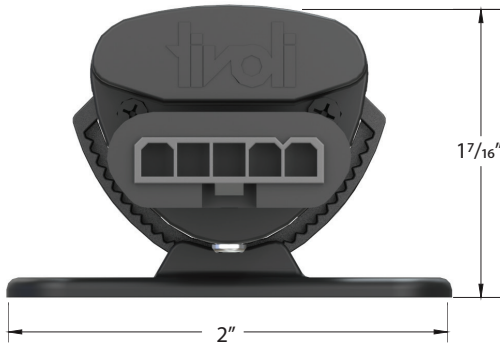


Project: \_\_\_\_\_ TYPE: \_\_\_\_\_

- An industry first, patent pending dual dimming system for both ELV and 0-10V built in
- Self Ballasted 120V AC - 277V AC
- Up to 826 lumens/ft.
- Maximum Run up to 120'
- Flexible connectors accommodate curves
- Adjustable mounting bracket for desired angle
- For Dry/Damp location
- IP52 Rating
- 5 Year warranty



### Dimensions



## Order Specification Guide

### Patent Pending Dual Dimming Ordering Assistance



The table below will assist in ordering the correct VAST Cove Light for your application according to the dimming required

#### 0-10V

Input	Dimming 0-10V	Order Code
120-277V	120V-277V	VAST-XX-SG-OP-XX-01-X
		VAST-XX-SG-OP-XX-02-X

#### ELV

Input	Dimming ELV	Order Code
120-277V	120V	VAST-XX-SG-OP-XX-01-X
	277V	VAST-XX-SG-OP-XX-02-X

PRODUCT CODE	LED TYPE	COLOR	LENS	LED COLOR	**DIMMING OPTION	LENGTH
VAST		SG	OP			
VAST = VAST Static Cove Light	SB = Standard Brightness HO = High Ouptu	SG = Space Gray	OP = Opal	27 = 2700K 30 = 3000K 35 = 3500K* 40 = 4000K 53 = 5300K 60 = 6000K	01 = ELV (120V AC) / 0-10V(120-277VAC) 02 = ELV (277V AC) / 0-10V(120-277VAC)	1 = 1' 4 = 4'

\*Consult Factory for MOQ and Lead Time

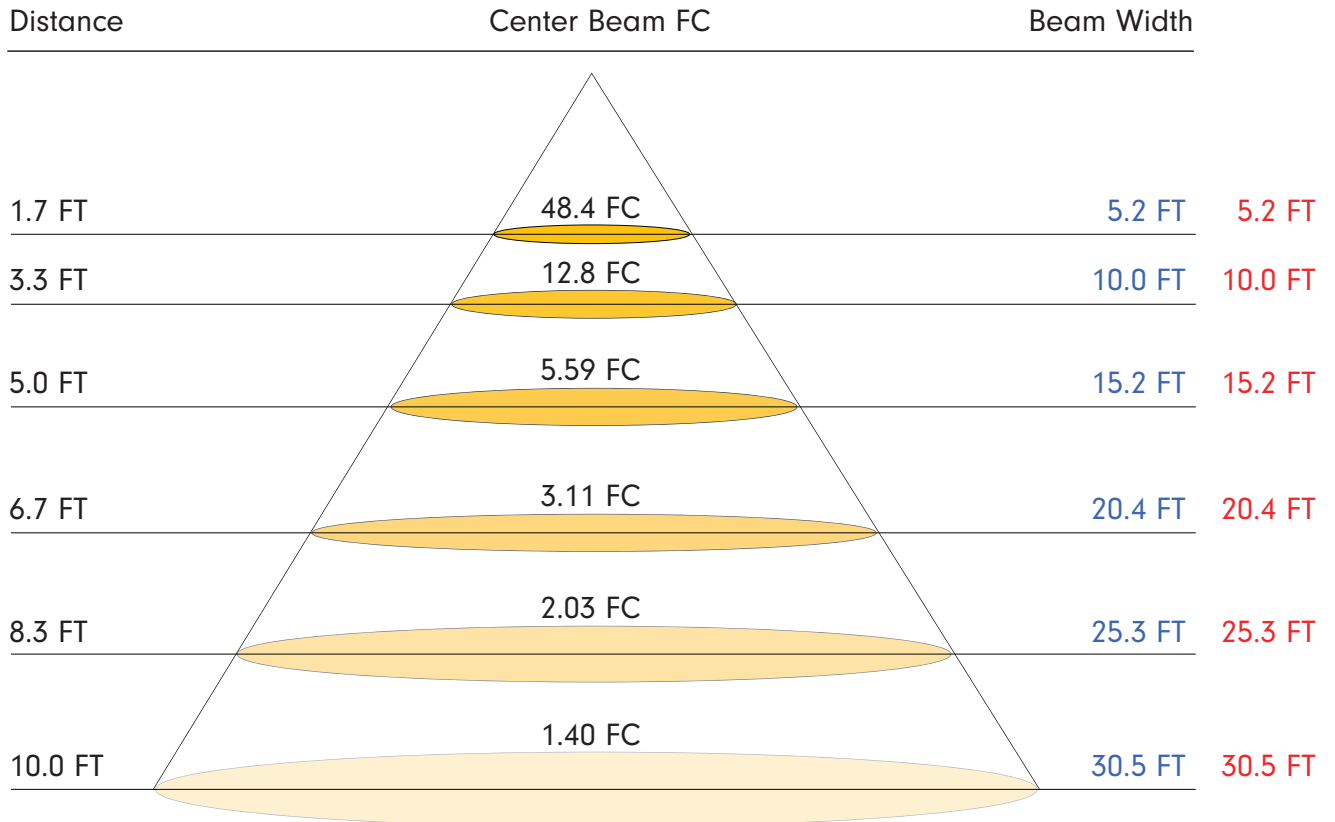
\*\*This column helps specify correct accessories for ELV or 0-10V dimming (page 12-13)



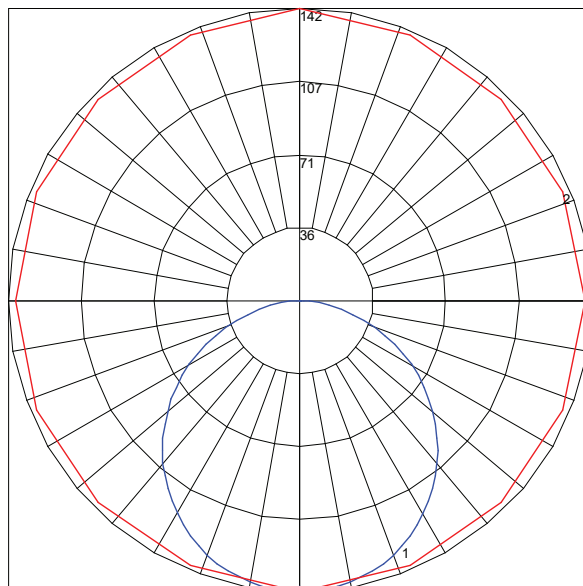
## Specifications

Output (Standard Brightness - SB)		
Fixture Size	1'	4'
Lumens (lm/unit)	413	1580
Efficacy	78	85
Output (High Output - HO)		
Lumens (lm/unit)	826	3160
Efficacy	78	85
LED		
Beam Angle	114°	
R9	70	
CRI	94	
Electrical		
Dimming	ELV@120V AC. ELV@277V AC, 0-10V@100-277V AC	
Input Voltage	100-277V AC 50/60Hz	
Power Consumption (W/unit)	5.29W (SB), 10.58W (HO)	18.55W (SB), 37.1W (HO)
Maximum Electrical Run	120' (SB), 60' (HO)	120' (SB), 60' (HO)
Physical		
Mounting	Surface Mount with adjustable clip	
Operating Temperature	-4°F~149°F (-20°C~65°C)	
Storage Temperature	-13°F~158°F (-25°C~70°C)	
Certification and Testing		
Certification	ETLus, CE, RoHS	
Rated Life	90000 hrs. @ 25°C	
Environment	Dry/Damp Location	
IP Rating	IP52	
Warranty	5 Years	

**Photometrics SB (no baffle)**



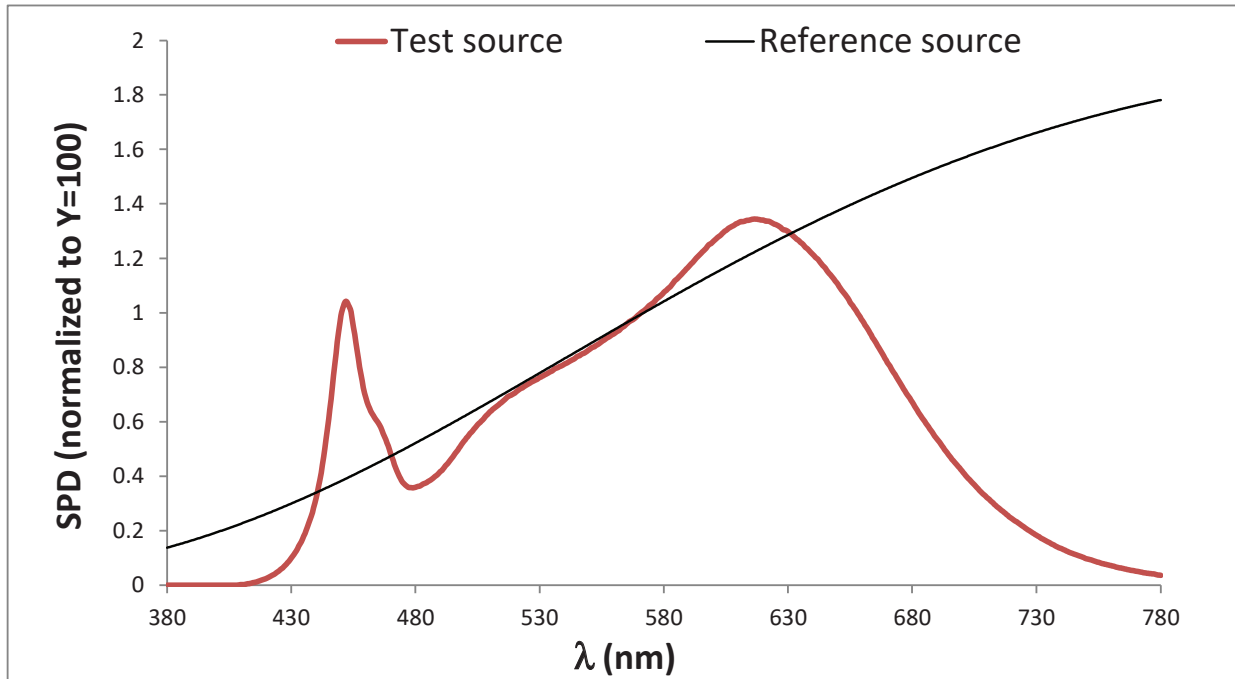
■ Horiz. Spread 112.4 °    
 ■ Vert. Spread 113.4 °



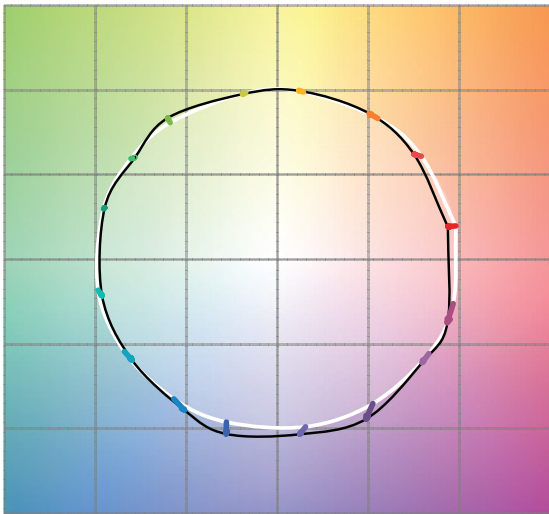
#1 Vertical Plane Through Horizontal Angles (90-270) (Through Max. Cd.)  
 #2 Horizontal Cone Through Vertical Angle (2.5) (Through Max. Cd.)

**TM-30 (no baffle)**

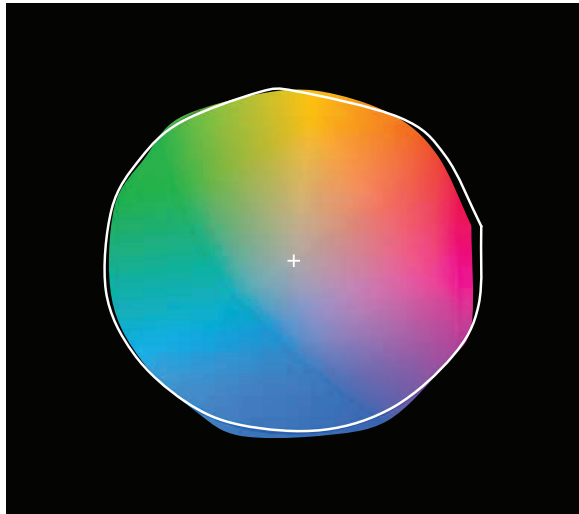
$R_f$	$R_g$	CCT (K)	$D_{uv}$	$u'$	$v'$
90	101	3157	-0.0053	0.2474	0.5109



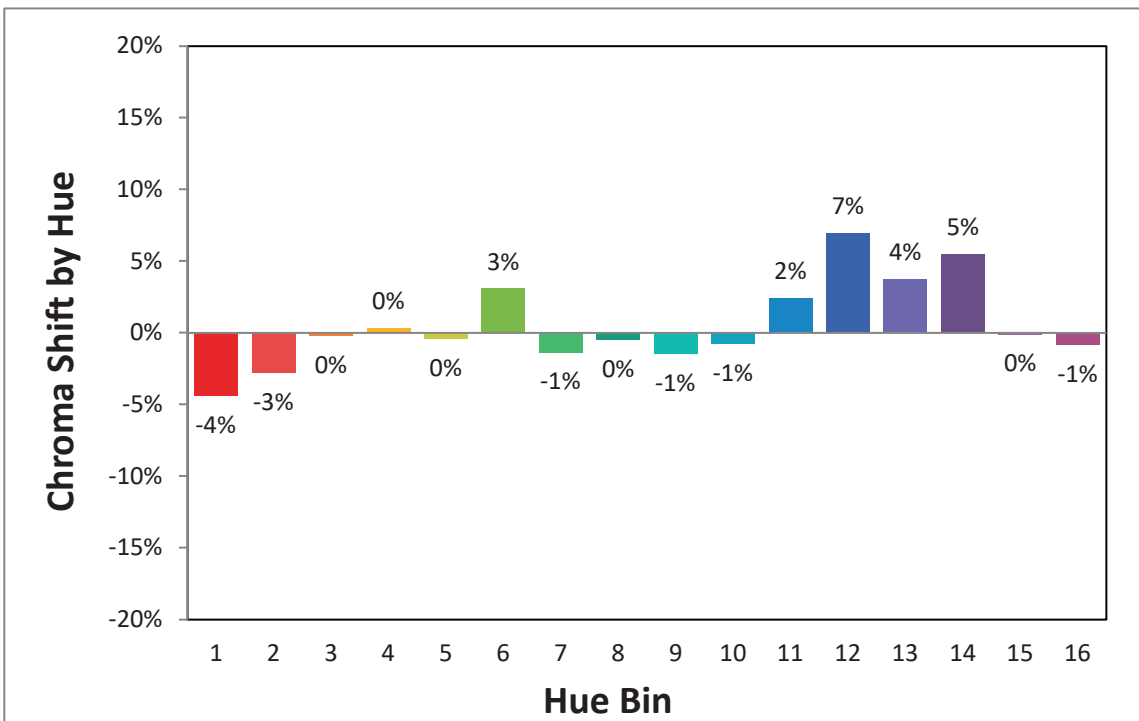
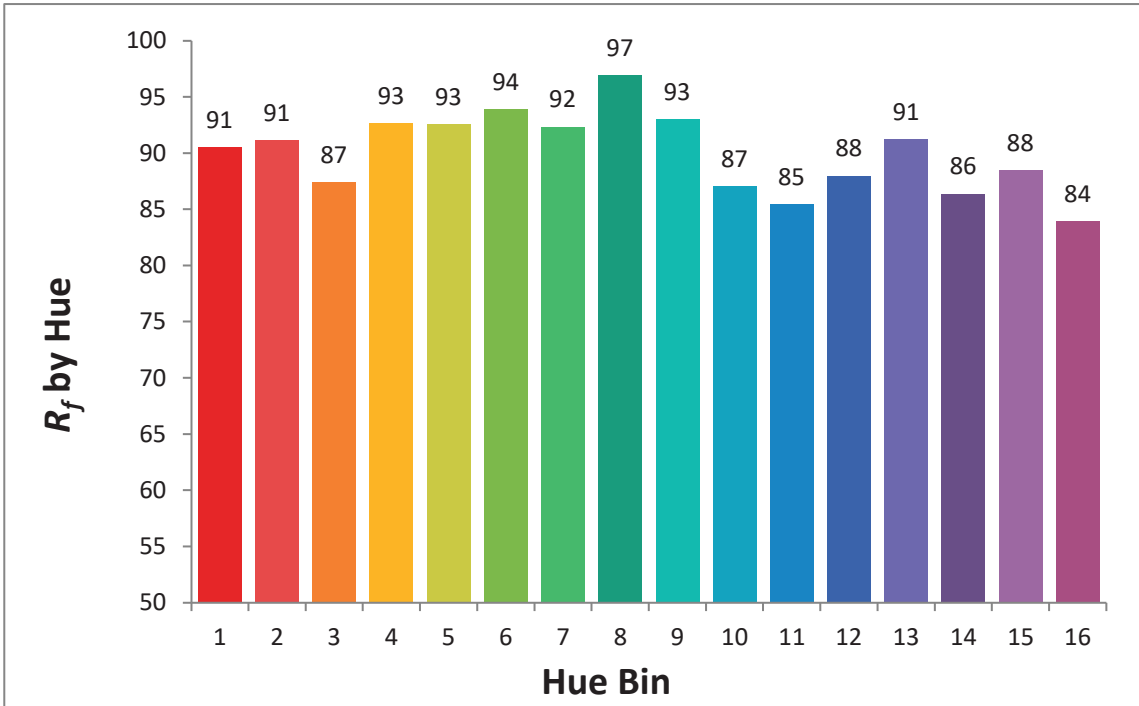
**Color Vector Graphic**



**Color Distortion Graphic**

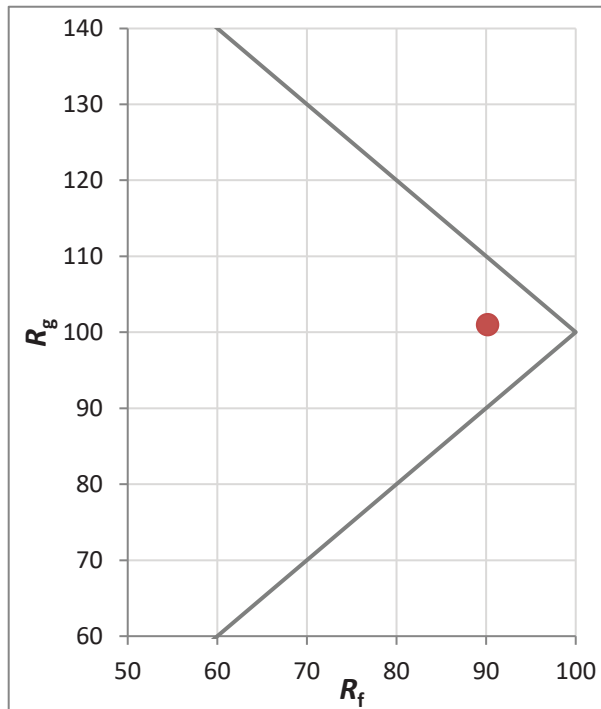


TM-30 (no baffle)

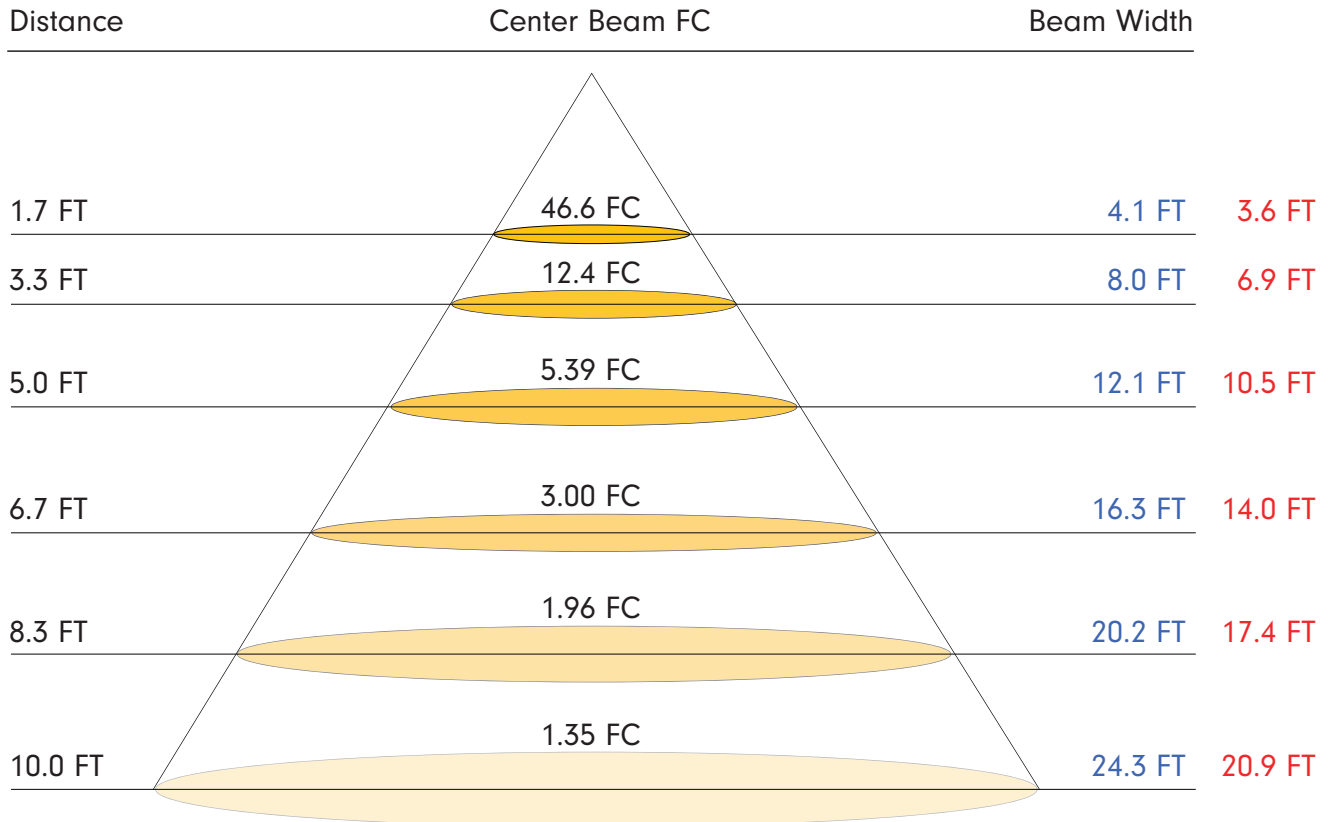


TM-30 (no baffle)

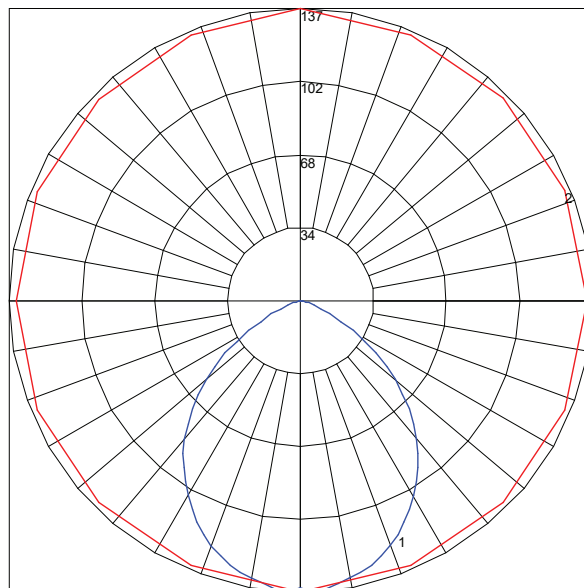
Hue Bin	$R_f$	Graphic Shifts (%)	
		Chroma	Hue
1	91	-4%	0%
2	91	-3%	3%
3	87	0%	6%
4	93	0%	3%
5	93	0%	2%
6	94	3%	-1%
7	92	-1%	-2%
8	97	0%	-1%
9	93	-1%	4%
10	87	-1%	7%
11	85	2%	9%
12	88	7%	1%
13	91	4%	-4%
14	86	5%	-8%
15	88	0%	-6%
16	84	-1%	-12%



**Photometrics SB (with baffle)**



■ Horiz. Spread 112.4 °    ■ Vert. Spread 113.4 °

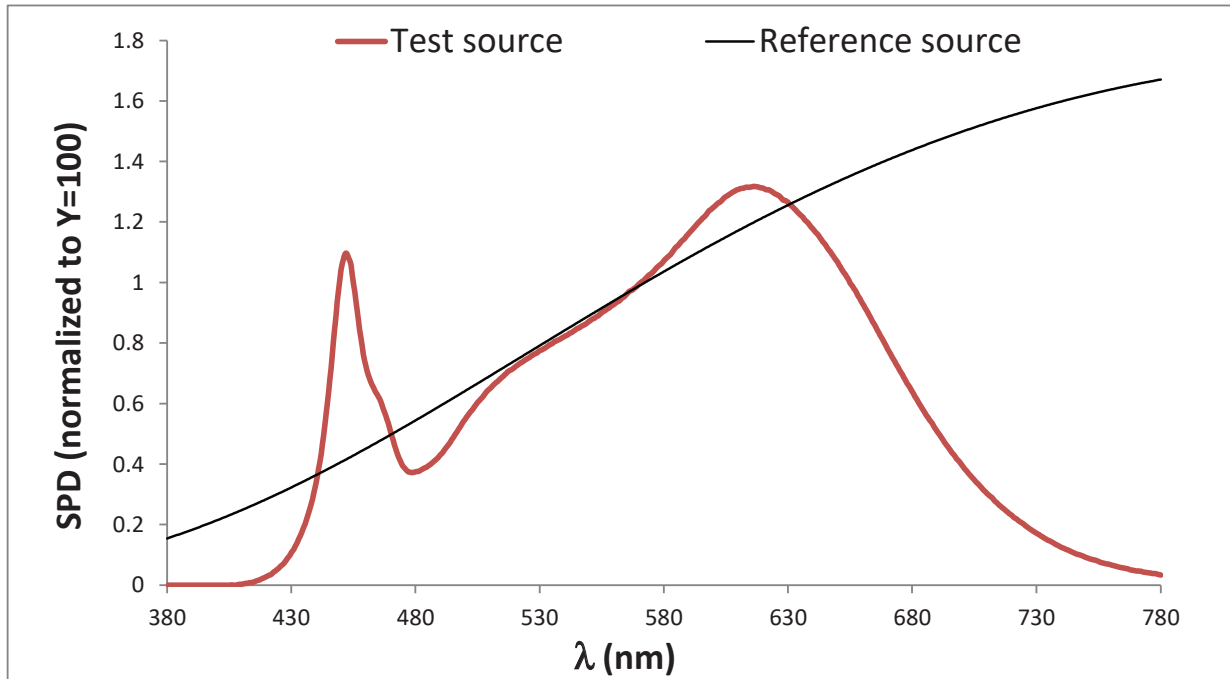


#1 Vertical Plane Through Horizontal Angles (90-270) (Through Max. Cd.)  
 #2 Horizontal Cone Through Vertical Angle (2.5) (Through Max. Cd.)

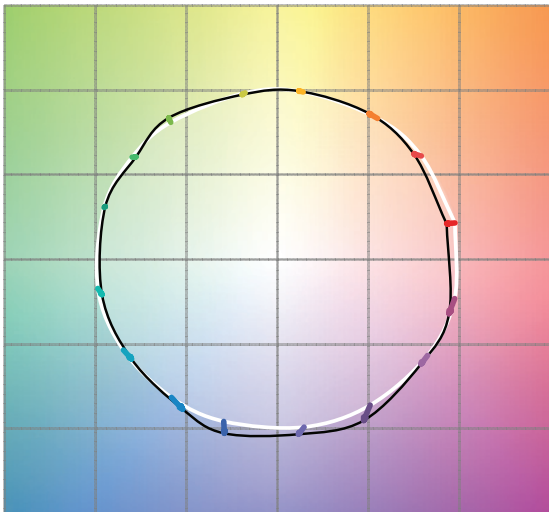


**TM-30 (with baffle)**

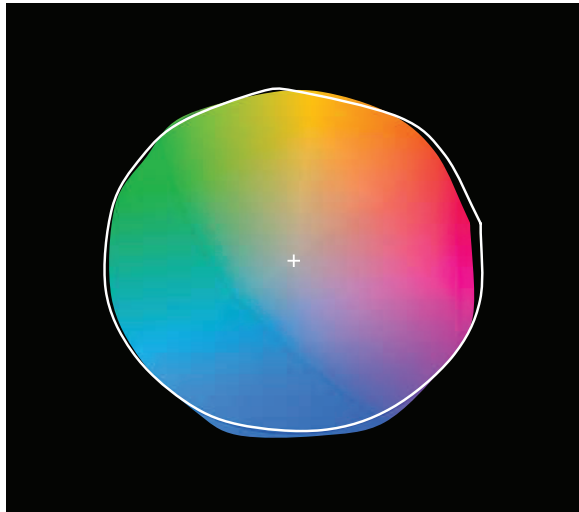
$R_f$	$R_g$	CCT (K)	$D_{uv}$	$u'$	$v'$
90	101	3252	-0.0054	0.2447	0.5090



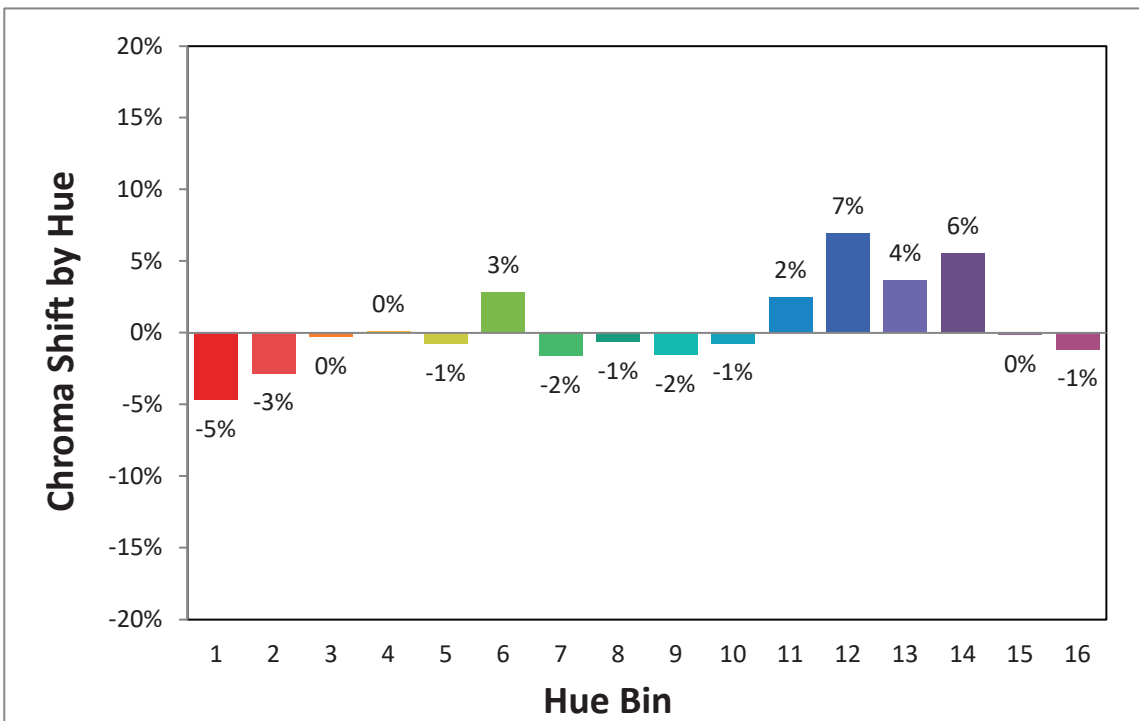
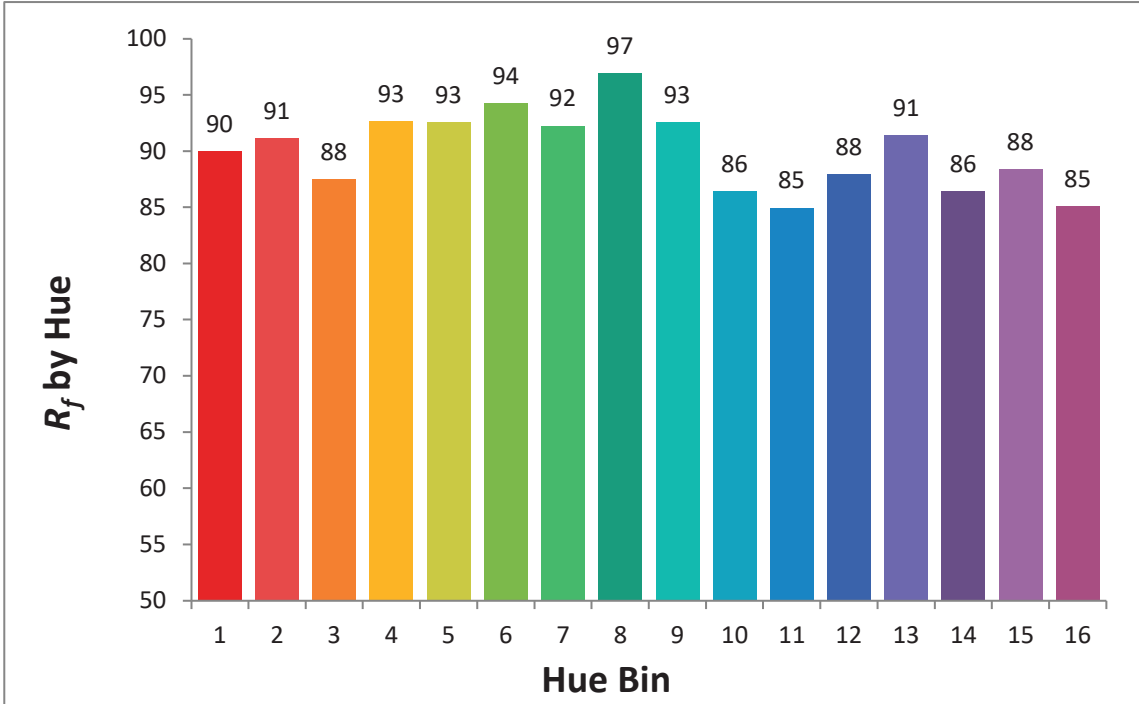
**Color Vector Graphic**



**Color Distortion Graphic**

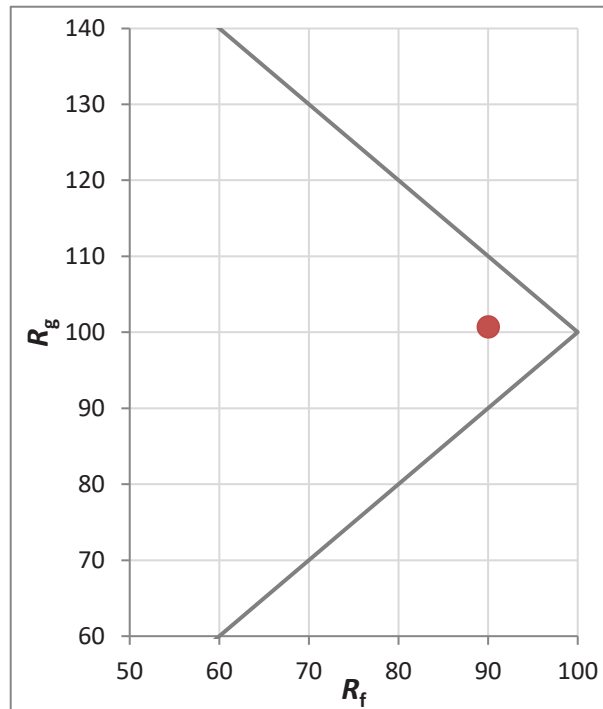


TM-30 (with baffle)



TM-30 (with baffle)

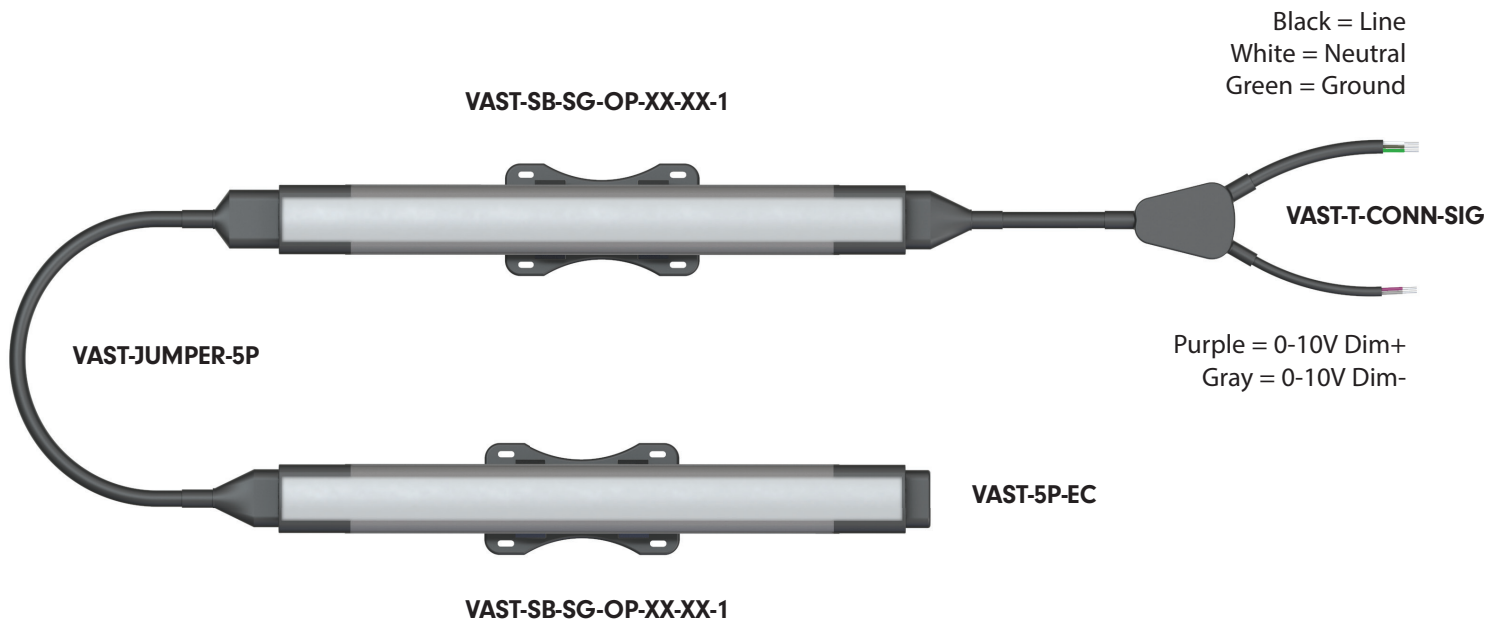
Hue Bin	$R_f$	Graphic Shifts (%)	
		Chroma	Hue
1	90	-5%	0%
2	91	-3%	3%
3	88	0%	6%
4	93	0%	3%
5	93	-1%	2%
6	94	3%	-1%
7	92	-2%	-1%
8	97	-1%	-1%
9	93	-2%	4%
10	86	-1%	7%
11	85	2%	9%
12	88	7%	2%
13	91	4%	-4%
14	86	6%	-8%
15	88	0%	-6%
16	85	-1%	-9%



**Wiring Diagram**

**0-10V Dimming** *Note: Diagram for wiring purposes only and does not represent the actual physical product.*

100V-277V AC universal input voltage available for 0-10V dimming



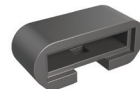
**0-10V Accessories**



**VAST-T-CONN-SIG**  
T Connector Power and Signal for 0-10V, 1FT for 5PIN, 6FT for both 3PIN Bare Wire and 2PIN Signal Bare Wire



**VAST-JUMPER-5P-XX**  
XX = 0.5 (6"), 1 (1'), 5 (5'), 10 (10')  
5-Pin Jumper



**VAST-5P-EC**  
5-Pin End Cap

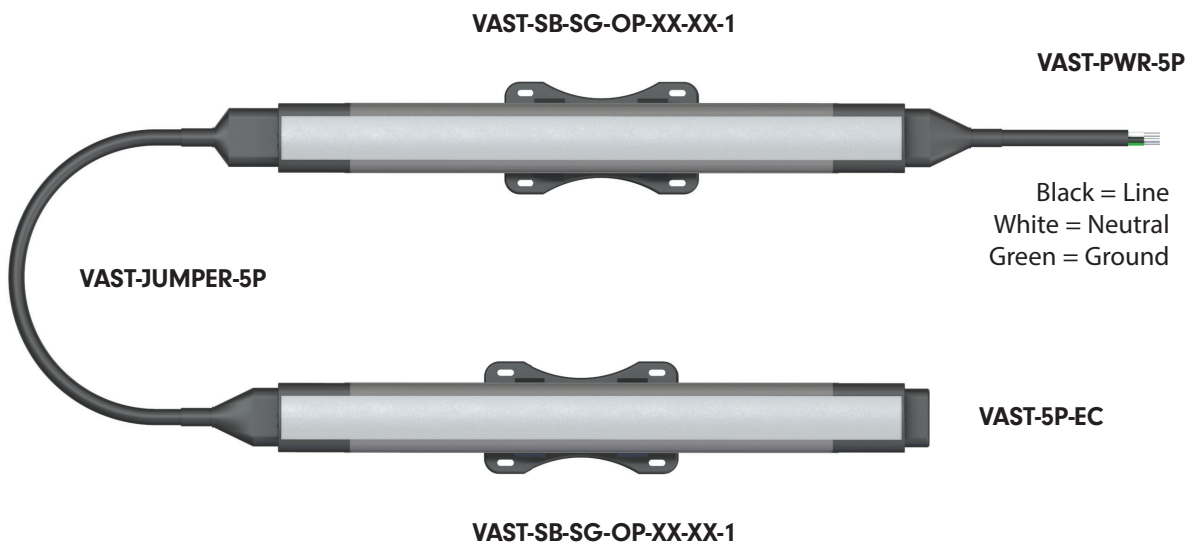


**VAST-BAFL-X**  
X = 1 (1')  
Black Vast baffle 1' length

**Wiring Diagram**

**ELV Dimming** **Note:** Diagram for wiring purposes only and does not represent the actual physical product.

120V or 277V AC input voltage available for ELV dimming - Please specify at time of ordering which is needed based on application



**ELV Accessories**



**VAST-PWR-5P-10**  
10' Power Cable for ELV dimming  
5-Pin Connection to hard wire



**VAST-JUMPER-5P-XX**  
**XX** = 0.5 (6"), 1 (1'), 5 (5'), 10 (10')  
5-Pin Jumper



**VAST-5P-EC**  
5-Pin End Cap



**VAST-BAFL-X**  
X = 1 (1')  
Black Vast baffle 1'  
length



## Dimming

### DIMMING - 0-10V

DESCRIPTION	CAT NO	APPLICATION	INPUT VOLTAGE	OUTPUT VOLTAGE	MAX LOAD
0-10V Dimmer	DIM-LD-010	Indoor	12V/24V DC	12V/24V DC	30 mA max. output (sink only)

### DIMMING - MLV

DESCRIPTION	CAT NO	APPLICATION	INPUT VOLTAGE	OUTPUT VOLTAGE	MAX LOAD
MLV Dimmer	N-600	Indoor	120V AC	120V AC	450W
	N-1000				800W
	N-1500				1200W
	D-600				450W
	M-600				450W
	M-1000				800W

### DIMMING - ELV

DESCRIPTION	CAT NO	APPLICATION	INPUT VOLTAGE	OUTPUT VOLTAGE	MAX LOAD
ELV Dimmer	ME-600	Indoor	120V AC	120V AC	450W
	DE-300				300W